



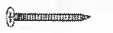
MANUAL • RYOM Høsehus • Art. no. 181-119 • (1)





SCREWS


A  3.5x50 (4pcs)

B  3.5x40 (14pcs)

C  3.5x35 (4pcs)

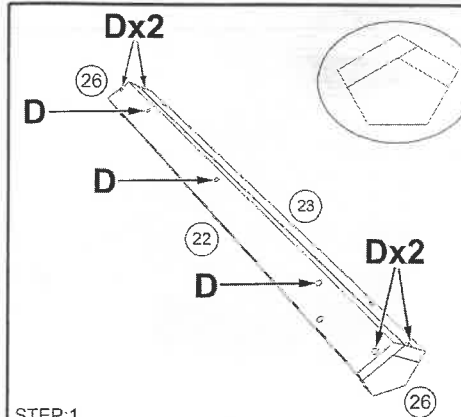
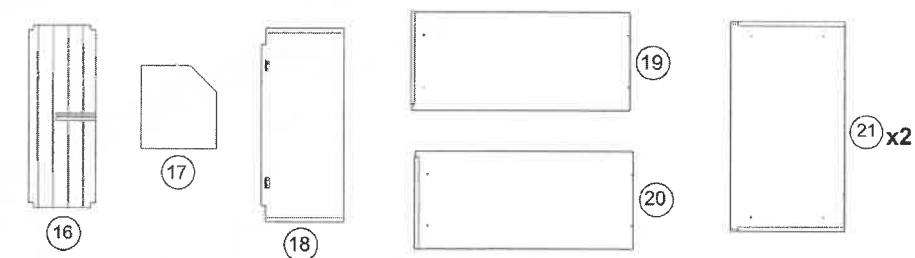
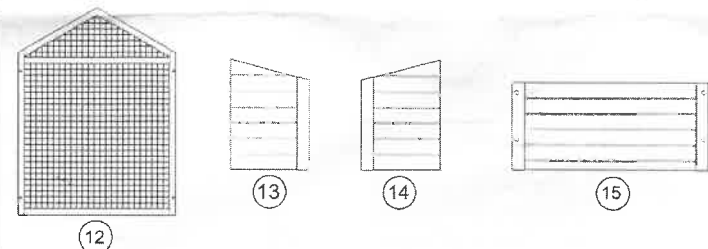
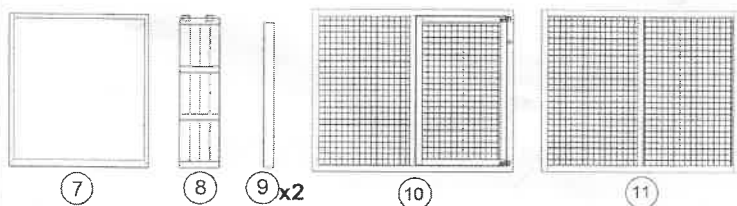
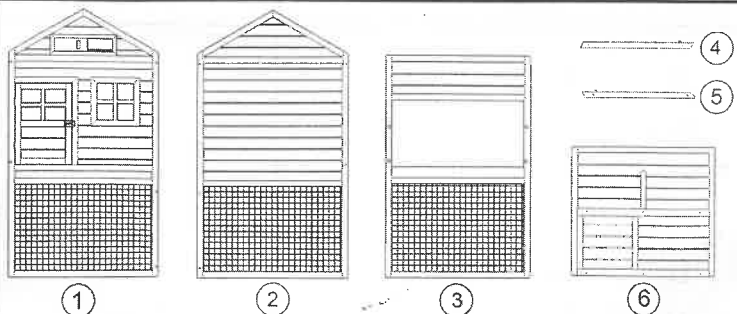
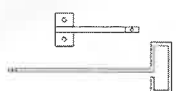
D  3.0x30 (36pcs)

E  3.0x12 (14pcs)

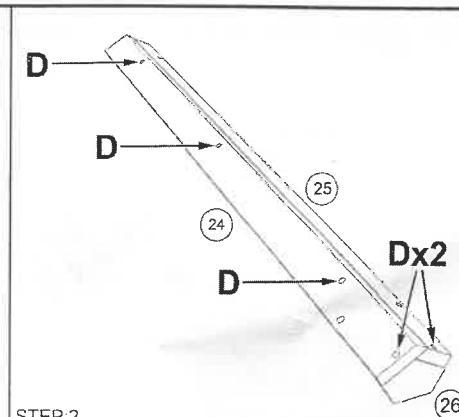
F  M6x55 (8pcs)

G  (1pcs)

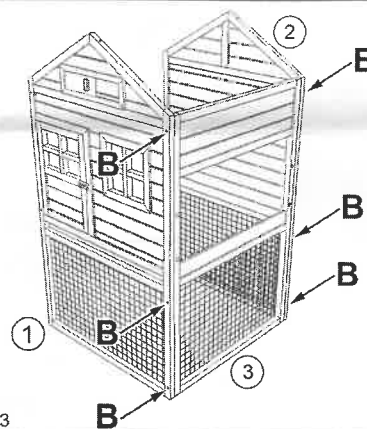
H  (1pcs)



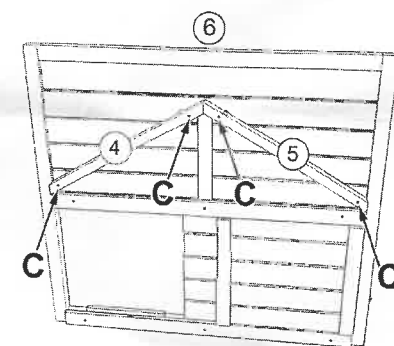
STEP:1



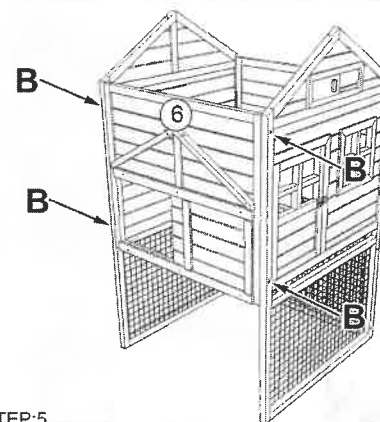
STEP:2



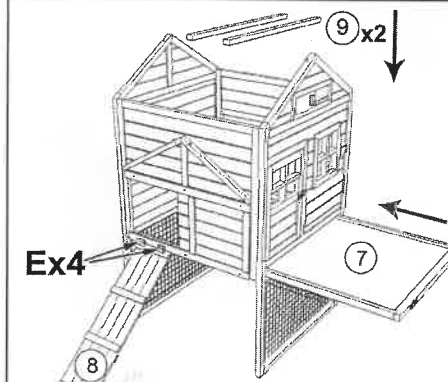
STEP:3



STEP:4

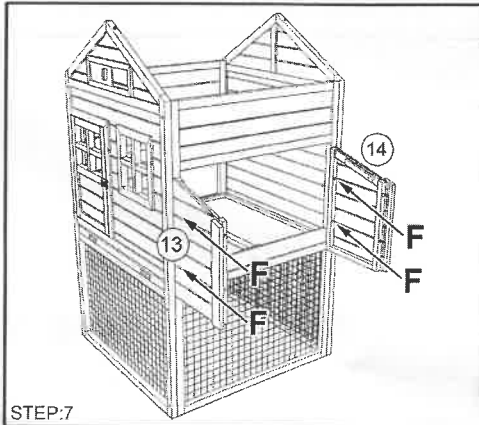


STEP:5

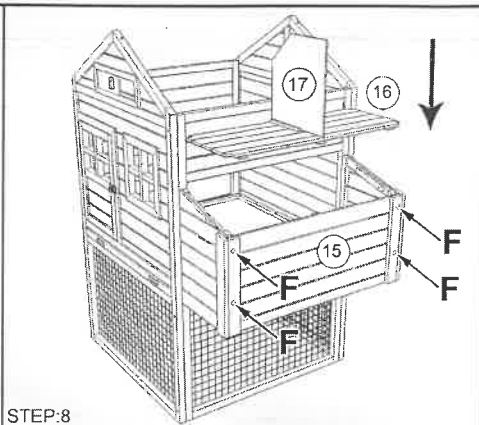


STEP:6

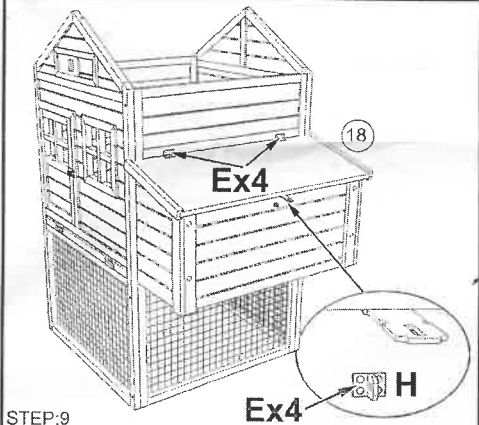
MANUAL • RYOM Høsehus • Art. no. 181-119 • (2)



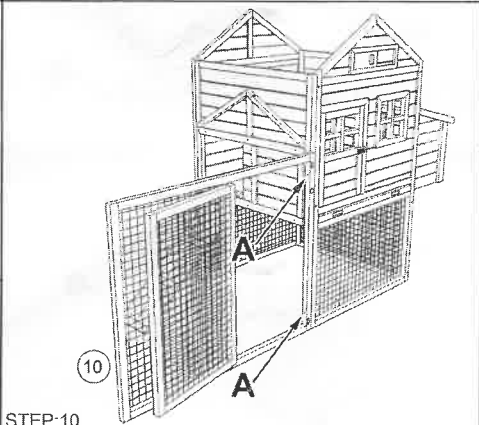
STEP:7



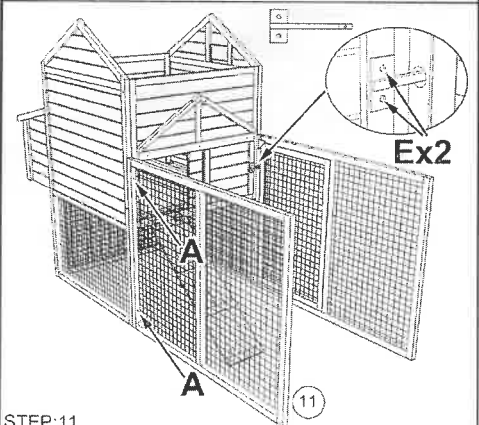
STEP:8



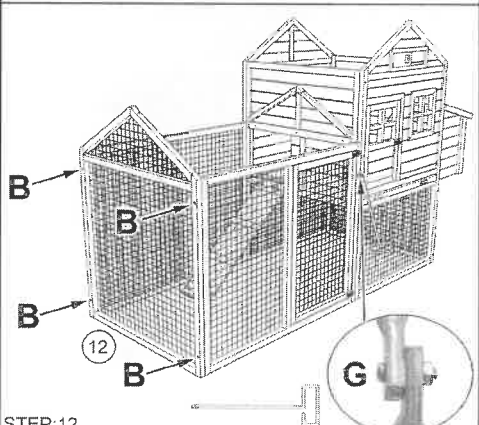
STEP:9



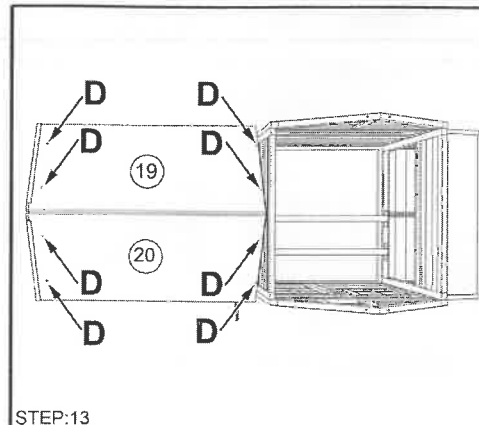
STEP:10



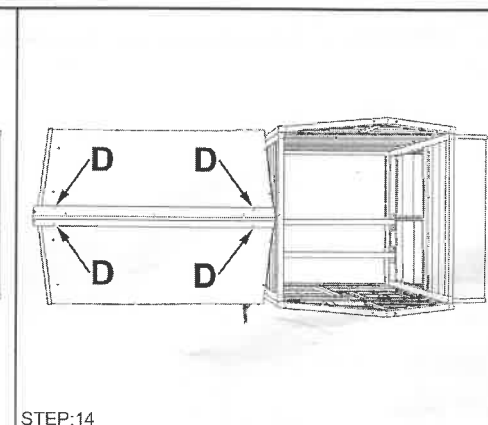
STEP:11



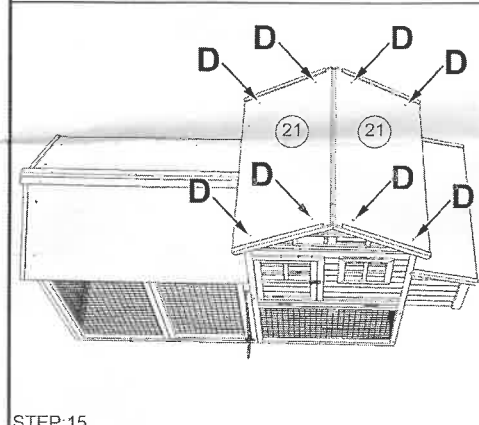
STEP:12



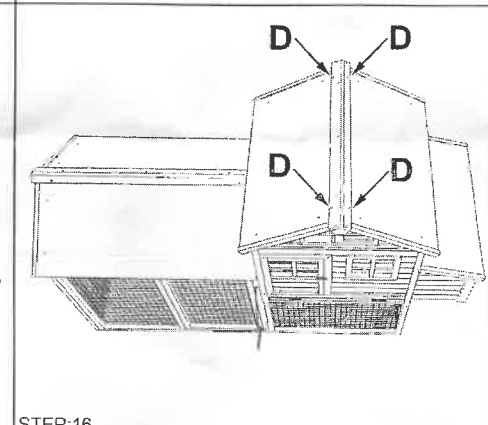
STEP:13



STEP:14



STEP:15



STEP:16

